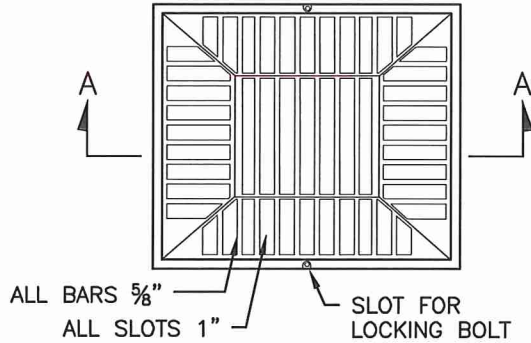
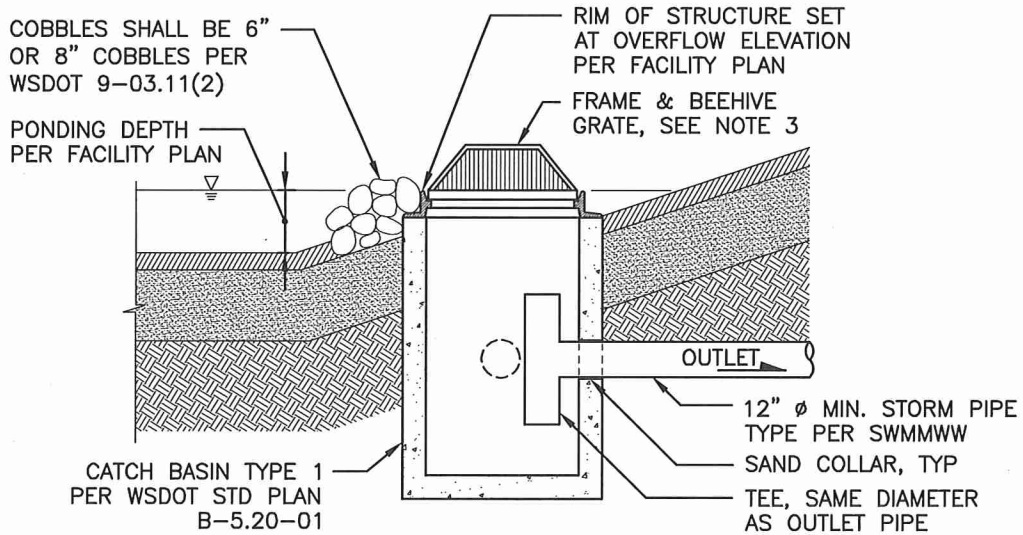


SECTION A-A  
NTS



PLAN  
NTS



**NOTES**

1. FRAME AND GRATE SHALL BE LOCKING AND GRATE SHALL BE BOLTED TO FRAME. FRAME SHALL CONFORM TO WSDOT STANDARD PLAN B-30.10-01.
2. OVERFLOW STRUCTURE SHALL BE LOCATED WITHIN 10 FEET OF ROAD EDGE FOR MAINTENANCE ACCESS, UNLESS APPROVED OTHERWISE. OVERFLOW STRUCTURE MAY BE LOCATED IN SIDE SLOPES.
3. FRAME AND GRATE TO CONFORM TO WSDOT STANDARD SPECIFICATIONS 9-05.15(2).
4. PLANT SPACING WITHIN FACILITY TO ALLOW MAINTENANCE ACCESS TO STRUCTURE.



**CITY OF  
PUYALLUP**  
OFFICE  
of  
THE CITY ENGINEER

**BIORETENTION OVERFLOW  
OUTLET STRUCTURE**

DRAWN BY V STOCKMAN	CHECKED BY TED HILL	APPROVED BY MARK PALMER	REVISED BY X	DATE REVISED: XX/XX/XX XX/XX/XX XX/XX/XX	CITY STANDARD
FILE NAME E:\DWG\COMMON\STDS\CITY\STDS\02_SD\02.07\02.07.03	DATE APPROVED 02/27/2017	SCALE NTS			02.07.03

DATE SEALED: 3/6/17