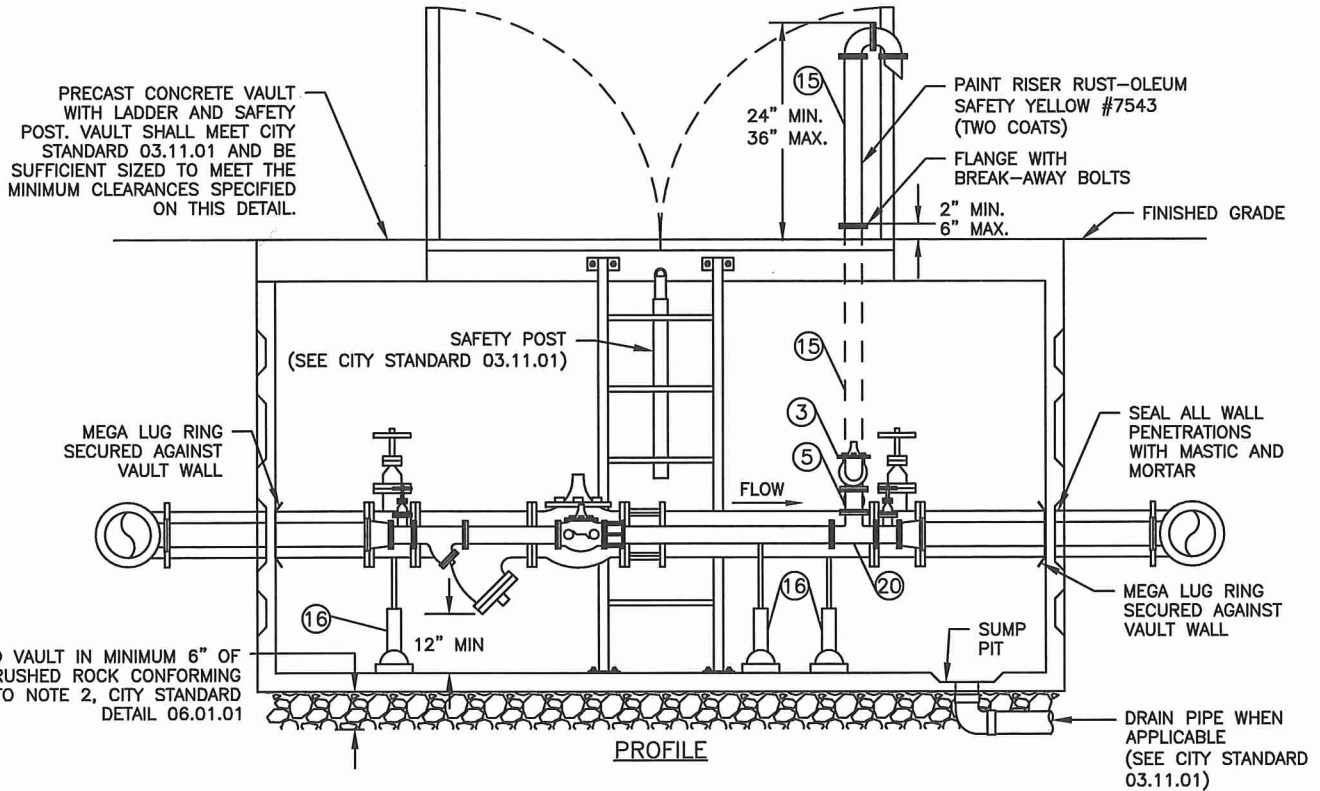


PLAN



PROFILE

CONSTRUCTION NOTES

- | | |
|--|--|
| <ul style="list-style-type: none"> ① 8" CLA-VAL 90G-01AB - CLASS 150 PRESSURE REDUCING VALVE ② 3" CLA-VAL 90G-01AS - CLASS 150 PRESSURE REDUCING VALVE ③ 3" CLA-VAL 50A-01B - CLASS 150 VERTICAL HIGH PRESSURE RELEASE VALVE ④ 8" FLANGED HAND WHEEL GATE VALVE (2 REQUIRED) ⑤ 3" FLANGED HAND WHEEL GATE VALVE (3 REQUIRED) ⑥ 4"x3" (FLxFL) REDUCER (2 REQUIRED) ⑦ 8" 90° MECHANICAL JOINT ELL (2 REQUIRED) (MEGALUG) ⑧ 8"x4" (MJxMJxFL) TEE (2 REQUIRED) (MEGALUG) ⑨ 8" FLANGE COUPLING ADAPTOR ⑩ 3" FLANGE COUPLING ADAPTOR | <ul style="list-style-type: none"> ⑪ OIL FILLED PRESSURE GAUGE WITH SHUT-OFF VALVE PETCOCK W/ DRAIN (4 REQUIRED) ⑫ 8" (FLxPE) SPOOL (LENGTH AS REQUIRED) ⑬ 3" (FLxPE) SPOOL (LENGTH AS REQUIRED) ⑭ 4" (FLxFL) SPOOL (LENGTH AS REQUIRED) ⑮ 3" (FLxFL) SPOOL (LENGTH AS REQUIRED) ⑯ PIPE SUPPORTS (3 REQUIRED) ⑰ 8" FLANGED WYE STRAINER ⑱ 3" FLANGED WYE STRAINER ⑲ 3" FLANGED 90° ELL (3 REQUIRED) ⑳ 3" FLANGED TEE |
|--|--|



CITY OF PUYALLUP
OFFICE
of
THE CITY ENGINEER

APPROVED FOR PUBLICATION



DATE SEALED: 10/15/2019

PRESSURE REDUCING
STATION

(NOT TO SCALE)

CITY STANDARD
03.09.01

FILE NAME: Y:\SHARED\DRAWINGS\CITY STANDARDS\2018\02 - PART 2 - STANDARD DETAILS\CAD\300\03.09