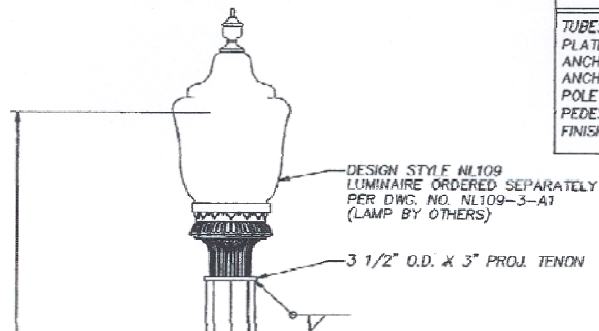


MATERIAL SPECIFICATIONS

TUBES: CHEM. & PHYSICAL PROP. OF ASTM A595 GR. A.
 PLATE, BAR: ASTM A36
 ANCHOR BOLTS: ASTM-A307
 ANCHOR BOLT NUTS: ASTM A563 GR. A GALVD. TO A153
 POLE TOP: CAST ALUMINUM-AA319F
 PEDESTAL BASE: CAST ALUMINUM AA3356.0F
 FINISH: PER SALES ORDER

RATING NOTE:
 POLES DESIGNED TO SUPPORT LUMINAIRE
 IN ACCORDANCE WITH 1994 AASHTO
 "STANDARD SPECIFICATIONS FOR STRUCTURAL
 SUPPORTS FOR HIGHWAY SIGNS, LUMINAIRES AND
 TRAFFIC SIGNALS FOR AN 80 MPH WIND ZONE.

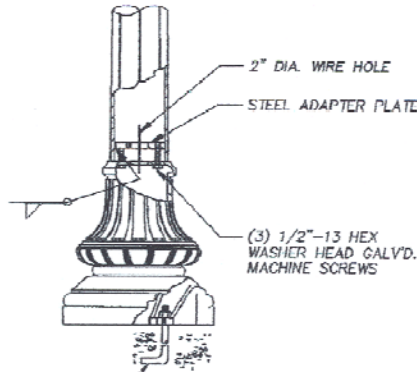
WELDING NOTE:
 WELDING PER AWS D1-1 STRUCTURAL WELDING
 CODE, 1994 AND SECTION 1.4-2 OF THE
 SPECIFICATIONS FOR STRUCTURAL SUPPORTS OF
 HIGHWAY SIGNS, LUMINAIRES AND TRAFFIC
 SIGNALS, AASHTO 1994.



DESIGN STYLE NL109
 LUMINAIRE ORDERED SEPARATELY
 PER DWG. NO. NL109-3-A1
 (LAMP BY OTHERS)

3 1/2" O.D. X 3" PROJ. TENON

14' NOM. MTG. HT.

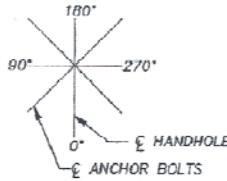


2" DIA. WIRE HOLE

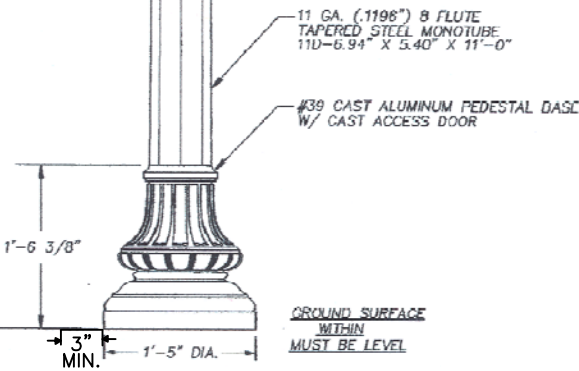
STEEL ADAPTER PLATE

(3) 1/2"-13 HEX
 WASHER HEAD GALVD.
 MACHINE SCREWS

(4) 1" X 30" LG. GALVD. ANCHOR BOLTS
 (2 1/2" PROJ.) W/ (1) GALVD. HEX NUT,
 (1) 1" GALVD. FLAT WASHER
 ON 12" B.C. (8 1/2" CTRS.)
 (2) #16 GA. GALVD. SHIMS PER POLE INCLUDED.



TOP VIEW ORIENTATION



11 GA. (.1198") 8 FLUTE
 TAPERED STEEL MONOTUBE
 11U-6.94" X 5.40" X 11'-0"

#39 CAST ALUMINUM PEDESTAL BASE
 W/ CAST ACCESS DOOR

1'-6 3/8"

3" MIN.

1'-5" DIA.

GROUND SURFACE
 WITHIN
 MUST BE LEVEL

NOTES:

1. SOLE SOURCE UNION METAL POLES
2. SPECIAL PERMISSION SHALL BE OBTAINED FROM THE CITY TO USE DECORATIVE STREET LIGHTS.
3. 3" MIN. OF CONCRETE AROUND THE BASE OF STREET LIGHT



CITY OF PUYALLUP

DEVELOPMENT ENGINEERING and
 PUBLIC WORKS DEPARTMENTS

DECORATIVE STREET LIGHT

DRAWN BY
 JIM ERWIN-SVOBODA

CHECKED BY
 LINDA LIAN

APPROVED BY
 COLLEEN HARRIS

REVISED BY
 XXXX

CITY
 STANDARD

FILE NAME
 F:\DWG\COMMON\STDS\CITY\2009\01_STR\01.05\01.05.08

DATE APPROVED
 07/01/2009

DATE REVISED
 XX/XX/XX

SCALE
 NTS

01.05.08