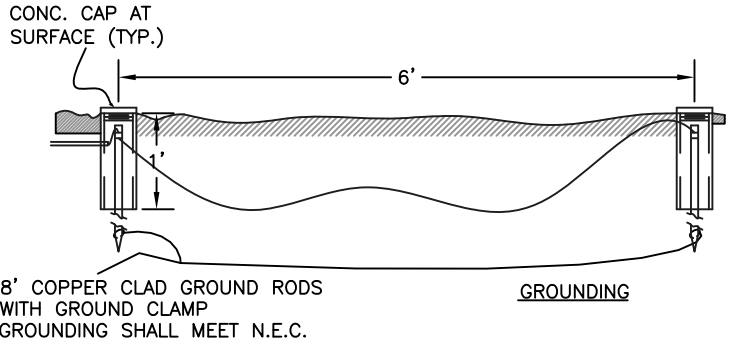
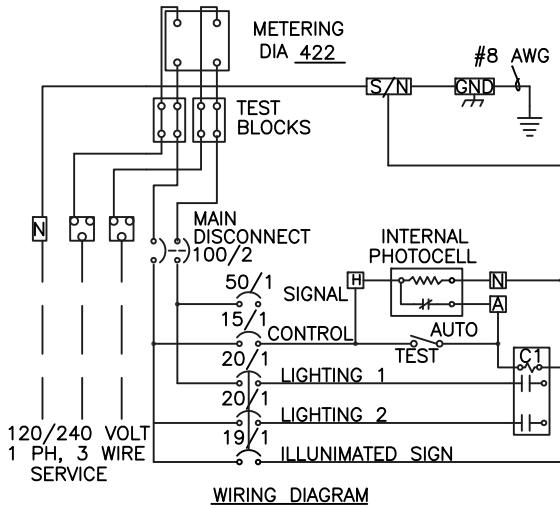
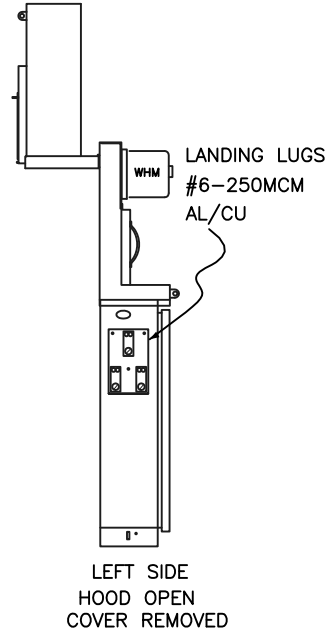


GROUND ROD COVERS UTILITY VAULT #9VB-924 OR APPROVED EQUIVALENT

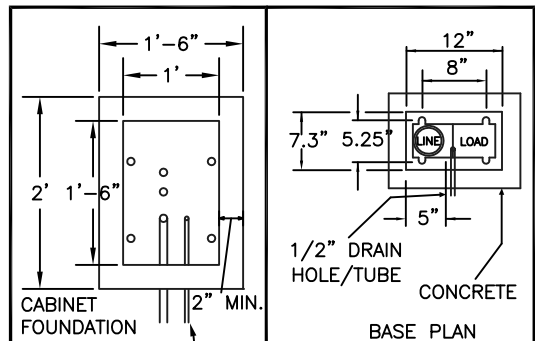
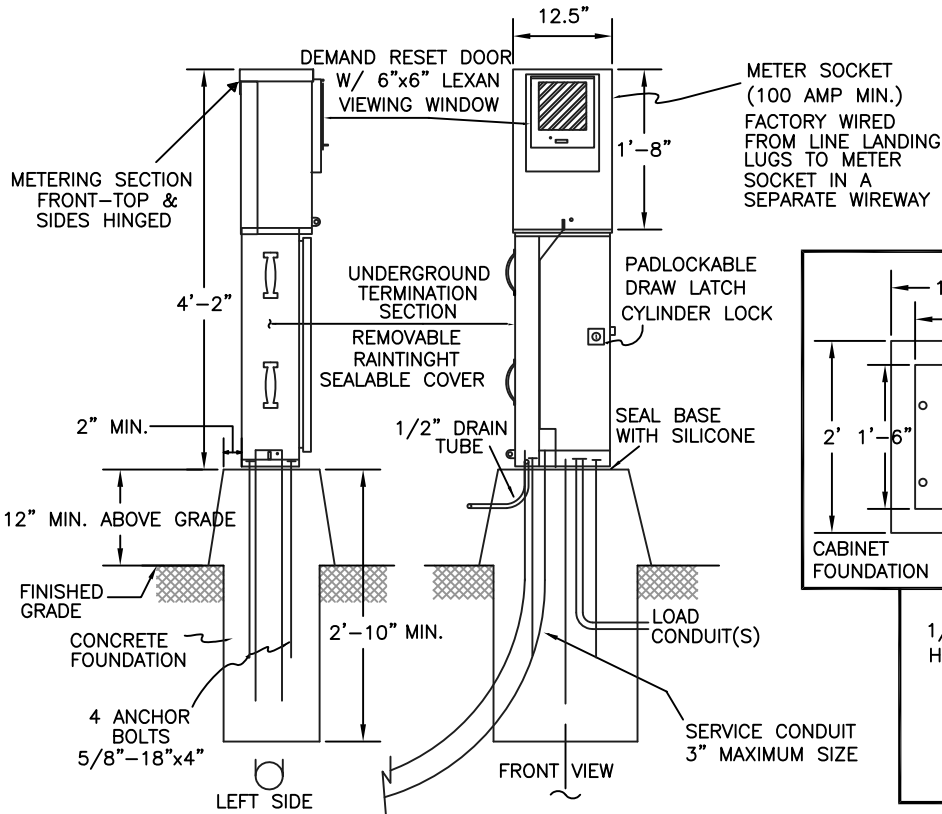


GROUNDING SHALL BE PER NATIONAL ELECTRICAL CODE



**NOTES:**

1. CONTRACTOR IS TO VERIFY THAT DETAIL SPECIFICATIONS AND EQUIPMENT LOCATIONS MEET WITH SERVING UTILITY'S AND CITY OF PUYALLUP ENGINEERING REQUIREMENTS.
2. EXPANSION ANCHOR BOLTS (KWIK-BOLT OR EQUAL) MAY BE USED TO MOUNT CABINET IN LIEU OF EMBEDDED BOLTS.
3. CONDUIT SIZE AND QUANTITY AS REQUIRED BY PLANS OR N.E.C.
4. TESCO SERVICE CABINET CATALOG #26-000, SKYLINE SERVICE CABINET SERIES 47700-P1.
5. GROUND ROD COVER SHALL BE UTILITY VAULT #9VB-924 OR APPROVED EQUIVALENT.
6. SEAL CABINETS TO PEDESTAL WITH SILICON SEALANT. PLACE SEALANT ON PEDESTAL AND SET CABINETS ONTO SEALANT. REMOVE EXCESS SEALANT.



1/2" DRAIN HOLE/TUBE

THIS DRAWING IS FOR TESCO SVC CABINET. OTHER MFG SVC CABINET DIMENSIONS WILL BE DIFFERENT



**CITY OF PUYALLUP**

DEVELOPMENT ENGINEERING and PUBLIC WORKS DEPARTMENTS

**STREET LIGHT SERVICE METER CABINET FOUNDATION**

DRAWN BY JIM ERWIN-SVOBODA	CHECKED BY LINDA LIAN	APPROVED BY COLLEEN HARRIS	REVISED BY XXXX	CITY STANDARD
FILE NAME F:\DWG\COMMON\STDS\CITY\2009\01_STR\01.05\01.05.05	DATE APPROVED 07/01/2009	DATE REVISED XX/XX/XX	SCALE 1:2	01.05.05